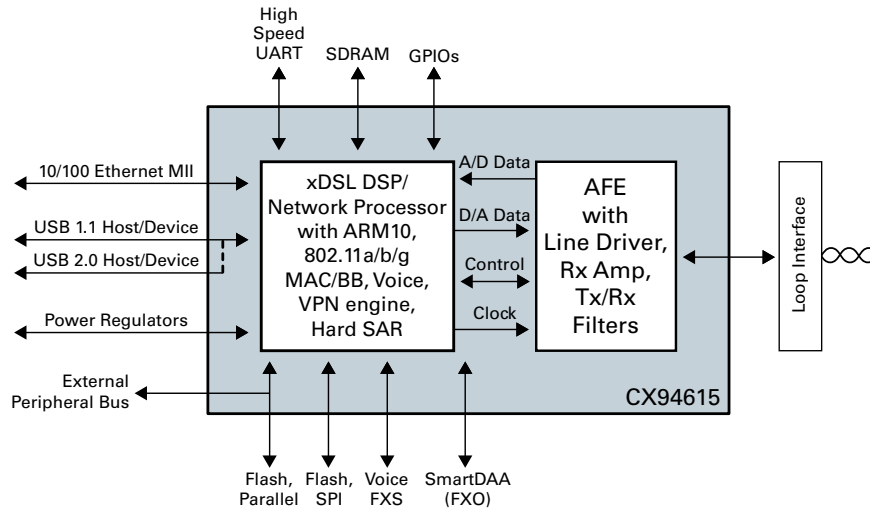




Wi-Fi processor, virtual private network (VPN) engine, and hardware ATM SAR, are integrated to support compute intensive tasks. The software solutions for the CX94615 include full support for advanced

features such as IPTV quality of service (QoS), advanced firewall, and DSLHome™, the DSL Forum's initiative to standardize and simplify the provisioning and configuration of the DSL gateway.



CX94615 Block Diagram

Product Features

- Support for ADSL/ADSL2/ADSL2plus (G.992.1, G.992.2, T1.413, G992.3, G.992.5) with optimized AFE designed to meet ADSL (TR-067) and ADSL2plus (WT-100) requirements
- Integrated field-proven xDSL DSP core with Annex A, B, M, I, J, and L support
- Optimized and cost effective voice FXO support using Conexant's SmartDAA technology
- Expandable voice architecture to support up to eight additional FXS voice channels using the Conexant CX9041x co-processor family
- Integrated 10/100 Ethernet MAC with MII interface
- Optimized power management with support for dying gasp
- QoS features including support for extended INP for better IPTV quality
- Support for parallel and serial (SPI) flash
- Support for DSLHome including TR-064, TR-068, TR-069, TR-098, TR-104, TR-106, TR-110, TR-111, TR-124, TR-133
- Memory and feature optimized binary and source software releases for targeted deployments
- Advanced Wireless features including WPS and Smart Antenna support
- MGCP and SIP stacks for VoIP

- Easy to use HTML based graphical user interface (GUI) tools for customization of user configuration web pages
- Modular IP stack with comprehensive networking protocol support including advanced bridging and routing capabilities, dynamic host configuration protocol (DHCP), point-to-point protocol over Ethernet (PPPoE), point-to-point protocol over ATM (PPPoA)
- PPP and tunneling features and routing information protocol (RIP)
- Simple network management protocol (SNMP) agent and tools
- Stateful packet inspection (SPI) firewall and network address translation (NAT) security solution
- ATM SAR engine supporting unspecified bit rate (UBR), constant bit rate (CBR) and other service classes
- UPnP for seamless network interconnectivity
- Common customer development environment and tools across ADSL to VDSL2 products
- Reference designs available for rapid prototyping
- Pin compatible option to the CX94610 Family (ADSLplus Chipset with Integrated Wireless LAN, without voice) for platform flexibility

Applications

- Wireless/DSL/Voice Integrated Access Device (IAD)

Conexant Product Portfolio

Conexant's comprehensive product portfolio includes solutions for imaging, audio, and video applications, and analog modems that enable cost-effective Internet access. The company's broadband access products include end-to-end solutions for xDSL networks, and PON solutions for fiber optic applications.

© 2008, Conexant Systems, Inc. All Rights Reserved. Conexant and the Conexant logo are registered trademarks of Conexant Systems, Inc. All other trademarks are owned by their respective owners. Although Conexant strives for accuracy in all its publications, this material may contain errors or omissions and is subject to change without notice. **THIS MATERIAL IS PROVIDED AS IS AND WITHOUT ANY EXPRESS OR IMPLIED WARRANTIES, INCLUDING MERCHANTABILITY, FITNESS FOR A PARTICULAR PURPOSE AND NON-INFRINGEMENT.** Conexant shall not be liable for any special, indirect, incidental or consequential damages as a result of its use.

www.conexant.com
General Information:
 U.S. and Canada: (888) 855-4562
 International: (732) 345-7500
 Headquarters
 4000 MacArthur Blvd.
 Newport Beach, CA 92660
 Doc# PBR-201236

